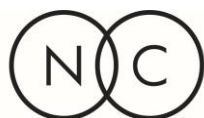


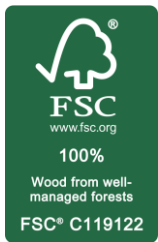
# SUSTAINABILITY DECLARATION

## ORKESTER



INCLUSIVE DESIGN

## QUALITY AND ENVIRONMENTAL LABELLING



### MATERIAL CONTENT:

Wood	5,20 kg	99,8 %
Plastic	0,01 kg	0,2 %
<b>Total</b>	<b>5,21 kg</b>	<b>100 %</b>

*Disclaimer: Material content is based on Orkester 081. Numbers may vary based on model and options selected. This applies throughout the declaration.*

### RECYCLED MATERIAL:

Post-consumer recycled content	0,0 kg	0 %
Pre-consumer recycled content	0,0 kg	0 %
<b>Total recycled content</b>	<b>0,0 kg</b>	<b>0 %</b>

### RECYCLABILITY:

Plastic	0,01 kg	0,2 %
<b>Total material recycling</b>	<b>0,01 kg</b>	<b>0,2 %</b>

Wood	5,2 kg	99,8 %
<b>Total energy recovery</b>	<b>5,2 kg</b>	<b>99,8 %</b>

### TOTAL CO2:



### ENERGY VALUE: (in accordance with NF Environnement)

24 MJ

## FULFILLED TECHNICAL STANDARDS

- EN 16139 Strength, durability and safety, for personnel weight of 110 kg.
- EN 1728 Test methods for the determination of the strength and durability
- EN 1022 Determination of stability
- EN 12720 Assessment of surface resistance to cold liquids
- SIS 83 91 17 Assessment of surfaces resistance to scratches
- EN ISO 105-E04 Colour fastness to perspiration

## FULFILLED FIRE REQUIREMENTS

- Euroclass D

## CHEMICAL DATA

Following have not been added to the product:

Substances on Reach candidate list

Asbestos

Heavy metals

Phthalates

Brominated or halogenated flame retardants

PVC

Hexavalent chromium

## COMPANY CERTIFICATIONS

- ISO 14001
- ISO 9001
- ISO 45001
- FSC® Chain of Custody

## PACKAGING AND TRANSPORT

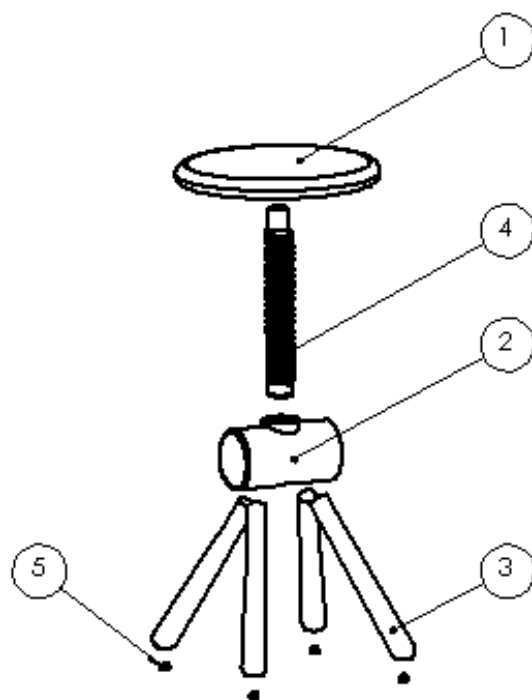
Packaged in recyclable packaging labeled with FSC. NC is connected to FTI, the Swedish nationwide recycling system for packaging. Shipped with external carriers.

## CARE AND MAINTENANCE RECOMMENDATIONS

Please visit our webpage.

<http://www.ncnordiccare.se/care-instructions/?lang=en>

# RECYCLING



Material	ID	Disassembly	Waste fraction
Wood	1, 2, 3, 4	Screwdriver	Combustible waste/Wood
Plastic	5	Hammer	Plastic

*\*The product should in first hand be reused or remade before recycling its components.*

## LEED CONTRIBUTION

The product can contribute to the earning of points within the following credits.

### LEED V 4

#### Interior Design & Construction

MR Credit: Interiors life-cycle impact reduction	Services offered for recycling, refreshing or reusing products. Share of recyclable material in the product: 0,2 %.
MR Credit: Building product disclosure and optimization – sourcing of raw materials	Recycled content: Post consumer 0 %, Pre consumer 0 %. The product is FSC labelled.

#### Building Design and Construction

MR Credit: Building product disclosure and optimization – sourcing of raw materials	Recycled content: Post consumer 0 %, Pre consumer 0 %. The product is FSC labelled.
MR Credit: Furniture and medical furnishings (healthcare)	The product contains no or less than 100ppm hexavalent chromium, heavy metals, PFCs or PFOA, or added anti-microbial treatments. Recycled content: Post consumer 0 %, Pre consumer 0 %. The product is FSC labelled.

#### Building Operations and Maintenance

MR Credit: purchasing—facility maintenance and renovation	The product does not contain any substances on REACH Authorization or Candidate list. The product is FSC labelled.
---	---

Verified date: 2020-07-09